

CAS  MBI



SALVADOR

1000 series

User guide

Overview

The Salvador 1000 series allows the addressing, programming and control of up to 64* wired DALI drivers individually from the Casambi App.

The Salvador 1000 series enables creation of hybrid networks that can consist of both Casambi Ready and DALI devices. All DALI drivers connected to a Salvador can be simply programmed and controlled in the same way as Casambi Ready devices via the Casambi App; eliminating the need for a specific DALI controller, complex DALI configuration software, or a DALI specialist.



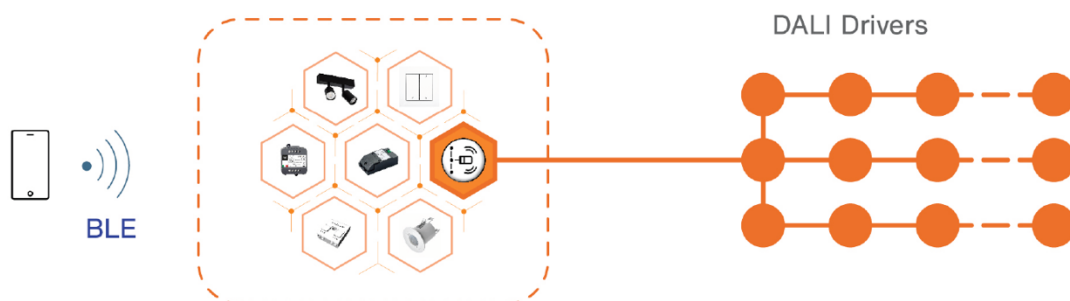
Multiple Salvadors can be wirelessly connected to form a single Casambi mesh network.

- A Salvador is one Casambi node.
- Each addressed wired DALI driver is one Casambi node.

A Casambi network can contain up to 250 nodes, regardless of whether they are wired DALI drivers or Casambi Ready devices. Wired DALI luminaires appear in the Casambi App in the same way as Casambi Ready luminaires. They can be individually controlled, grouped, or used in scenes that combine both Casambi Ready and wired DALI luminaires.

Only DALI drivers can be physically connected to a Salvador. DALI controls (such as switches and sensors) must not be connected. If DALI controls are required to be part of the Casambi network, they must be converted to be Casambi Ready using a suitable Casambi CBU or device from one of our Ecosystem partners.

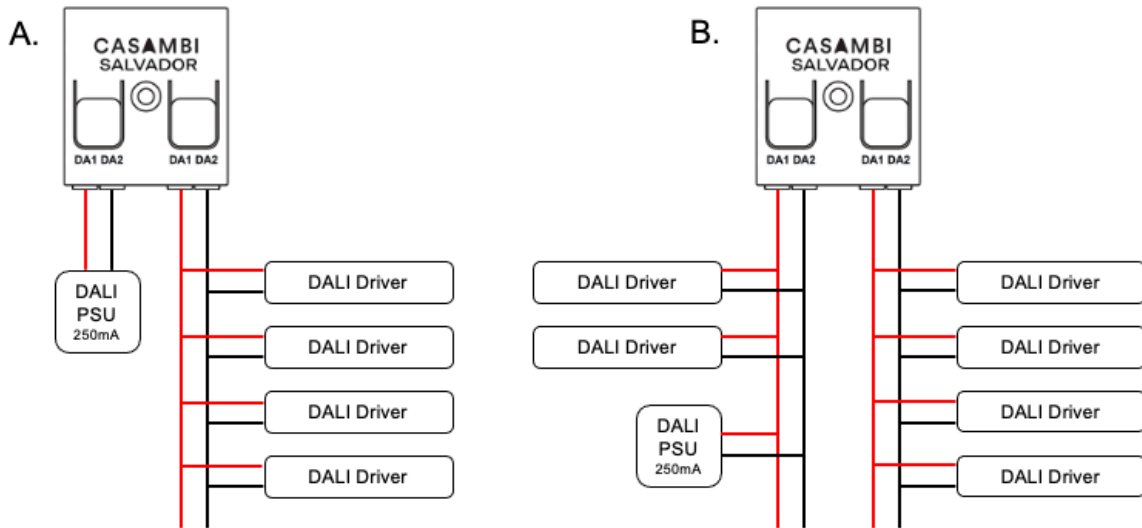
Salvadors are compatible with Casambi Evolution networks only.



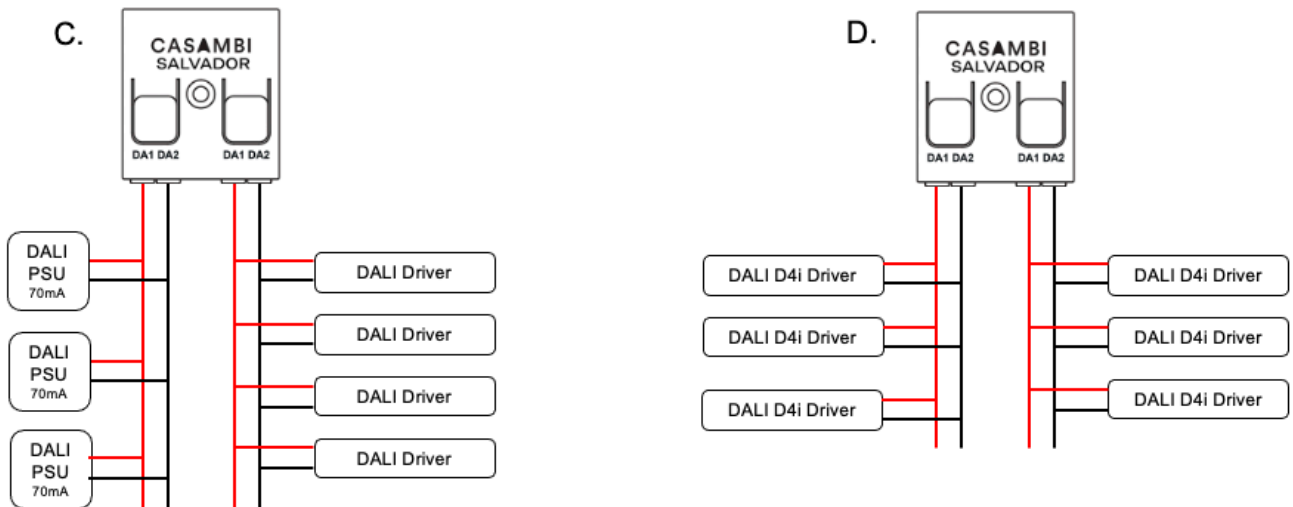
* 64 drivers maximum depending on the version of Salvador 1000 series you are using. See datasheet.

Connection diagrams

DALI DT6 and DALI DT8 drivers can be connected to the same Salvador.



! Observe DALI wiring specifications & allowed bus connection topologies



! Do not exceed 250mA bus current. Observe bus polarity if needed.

Casambi DO NOT recommend this connection method!

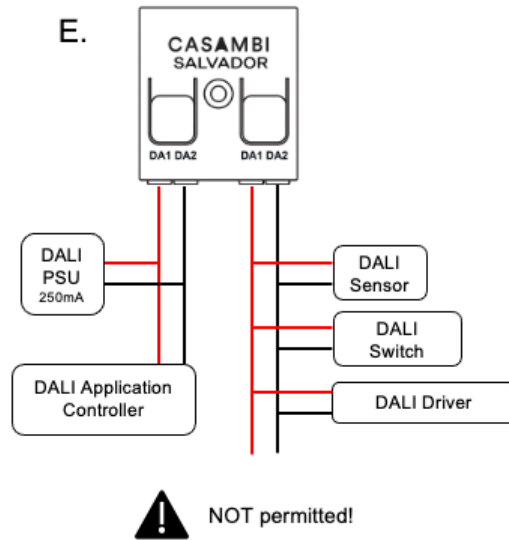
! Do not exceed 250mA bus current. Observe bus polarity if needed. Disable all unused D4i PSU's.

Casambi DO NOT recommend this connection method!

Connections C and D are not recommended due to the possibility of erratic behaviour resulting should one or more power supplies fail, or the DALI bus current of 250mA be exceeded. Power supply failures may result in the bus voltage dropping below the level required for reliable DALI communication.

If erratic behaviour of the wired DALI drivers is observed, the first thing to do is check and confirm all DALI wiring is correct and that the bus voltage and current meets the requirements of the DALI drivers connected.

Not allowed connection



DALI drivers: Connected quantity limit

Salvador does not permit the discovery and addressing of more DALI drivers than capabilities of the Salvador 1000 series version that you are using.

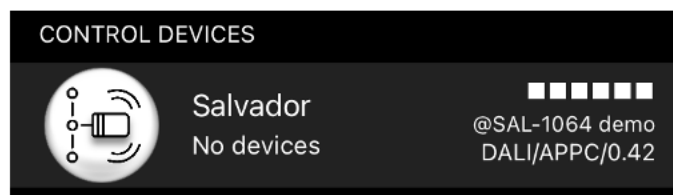
Physical connection of more DALI drivers than can be discovered & addressed by the Salvador 1000 series you are using is possible, but during the discovery process you will be prompted that too many drivers are connected, and the process will terminate.

Salvador 1000 series are available in versions that are limited to control different quantities of DALI driver. See the Salvador datasheets for the quantity of DALI drivers that can be addressed from the version you have. For example, the SAL-1064 can address 64 driver addresses (64 DALI drivers are the maximum possible to connect to one DALI bus).

Pairing process

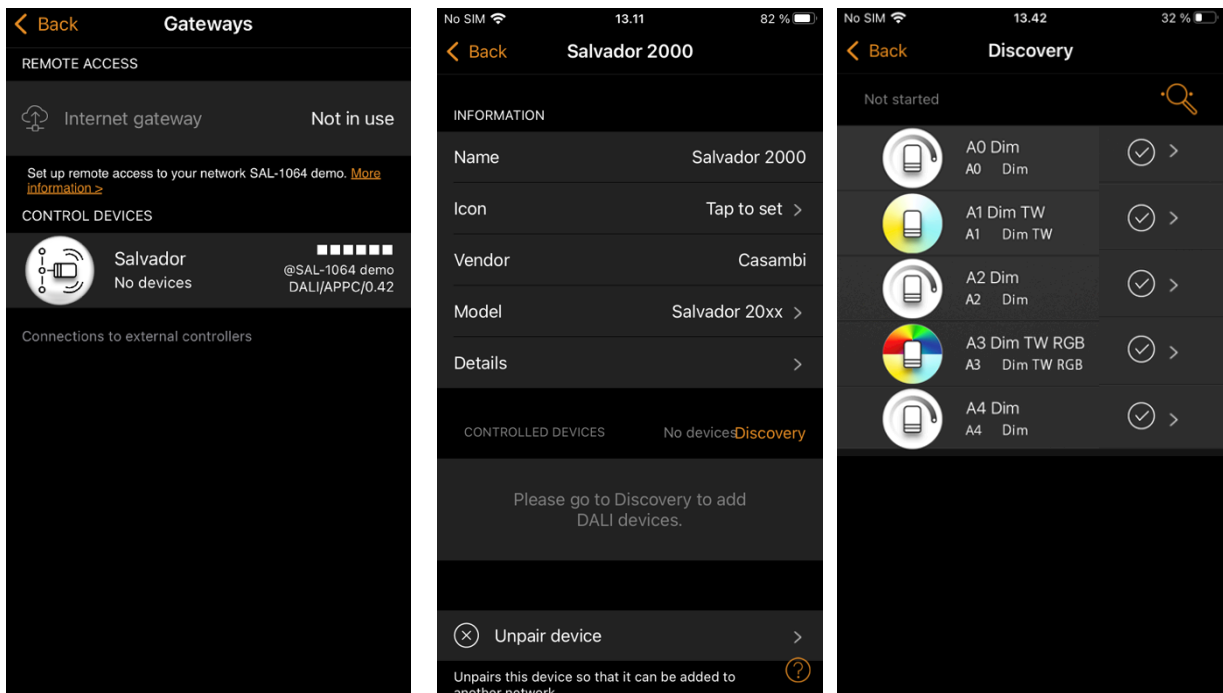
This process assumes that all DALI drivers and the Salvador have been physically connected following the DALI requirements, and that a suitable approved DALI power supply is powering the DALI bus.

1. Open the Casambi app.
2. Create an Evolution network.
3. Navigate to the More tab, Nearby devices.
4. Select the Salvador from the list of nearby devices & choose Add to network.
5. Once paired, the Salvador will appear in the More tab, Gateways section under CONTROL DEVICES.



DALI driver discovery process

1. Select the Salvador from the More tab, Gateways section.
2. Select **Discovery** to open the discovery view.
3. Select the discover (magnifying glass) icon again to start the discovery process.
 - a. Discovery may take some time depending on the amount of DALI drivers connected.
4. As each driver is addressed it will be shown in a list on the discovery screen view.
 - a. There is an indication at the top left of the discovery view to indicate progress/how many new devices have been discovered/addressed.



5. When the process has finished, select Confirm to add all discovered drivers to your network.
 - a. Icons for each individual DALI driver will then be displayed in the app Luminaires tab.
 - i. Each DALI driver shown in the luminaires tab has properties that can be viewed in the same way as any other Casambi device (double tap the icon). It is possible to rename the device, change its icon image and see various other information about it. It is also possible to open the Details section to see various DALI data.
6. You can then control and program the devices in the same way as any other Casambi ready or Casambi enabled luminaire. Please refer to the original app user guide for more information.

Adding additional DALI drivers

If physically adding additional DALI drivers after the initial discovery has been done, you will have to run the discovery process again to address these and add them to your network.

1. Follow the steps described in the section “DALI driver discovery process”.
2. After the process completes you will see a summary of DALI drivers that have already had addressed from a previous discovery and new devices.
3. Confirm to add all discovered drivers to your network.

Removing DALI drivers

If physically removing DALI drivers after the initial discovery has been done, you will have to run the discovery process again to update network configuration.

1. Follow the steps described in the section “DALI driver discovery process”.
2. After the process completes you will see a summary of DALI drivers that are now addressed
3. Confirm to update your network configuration.

Note: “Unpairing” a DALI driver from the luminaires tab is not possible. If attempted, you will be promoted to run the discovery process again.

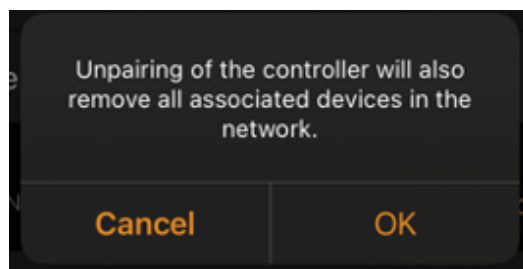
Offline DALI drivers

The app will indicate if a DALI driver is offline. This may be indicated if the physical DALI connection is broken., or if the driver itself has been powered off.

Unpairing the Salvador

A Salvador can be unpaired from a Casambi network using the same method as any other Casambi device. Please see the user guide for more information.

Note that unpairing a Salvador will also remove all DALI luminaires that have been discovered by that Salvador.



Firmware and firmware updating

Salvador firmware is unique to Salvador. The firmware utilised is not the same as other Casambi products.

If Salvador firmware updates are required, each Salvador must be updated individually using the Casambi app.

IMPORTANT!

When paired to a network, Salvador's communicate normally as part of the mesh. All programming and normal network communications are supported. The one unsupported aspect is that Salvador's cannot transfer standard Casambi Firmware updates through the mesh. For this reason, any standard Casambi device in the network must always be within communication range of another standard Casambi device. See the diagram as an example.

Disclaimers

Please refer to the official website of the **Digital Illumination Interface Alliance (DiiA)** for all information related to DALI and its specifications (<https://www.dali-alliance.org/>).

- DALI specifications must not be exceeded. Examples:
 - DALI bus current must not exceed 250mA.
 - DALI bus voltage at every driver must be between 9.5-22.5VDC.
 - DALI wiring must not exceed 300m.
- Only DALI device type 6 and device type 8 drivers listed on the DIIA website are suitable for use with the Salvador series.
- The DALI Power supply must meet the DALI standard requirements and be listed as approved on the DIIA website.
- If using D4i driver internal power supplies, ensure the DALI bus voltage is sufficient and/or not exceeded for the quantity of DALI drivers connected to the DALI bus.
 - Unused D4i power supplies must be disabled.

Casambi accept no responsibility for incorrect DALI operation cause by factors beyond our control. Such aspects include, but are not limited to:

- DALI wiring errors (physical connections, loose connections, polarity, cable type, cable lengths...).
- DALI bus supply voltage and current.
- Use of non-certified drivers.
- Interference on the DALI bus caused by external factors (such as electromagnetic disturbances or power surges and interruptions).

**Before contacting Casambi for support,
please first check and verify all above aspects are correct.**

Please refer to the original Casambi app user guide for full details of the capabilities of the Casambi app.

CASAMBI